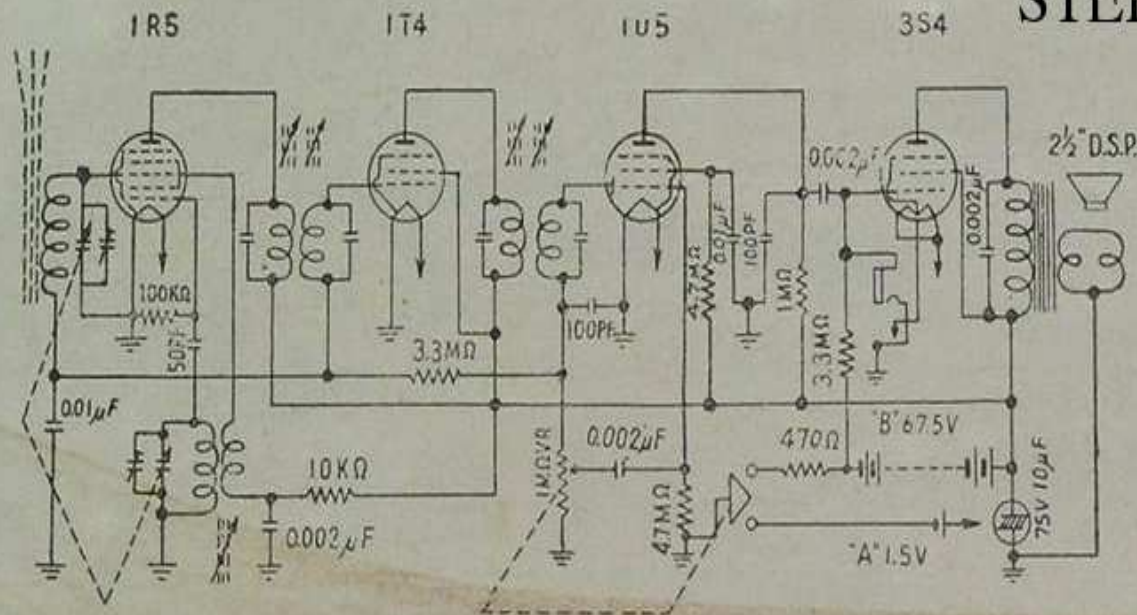


STERLING MODEL LS-4



This Radio uses United States Patents under Licence from R. C. A. Patent numbers supplied on request.

Freq. Range: 535-1605 KC

Batteries: "A" 1.5V Eveready No. 950
or equivalent

"B" 67.5V Eveready No. 416
or equivalent

If No. 416 is not available,
radio will also perform with
Eveready No. 415 which is 67.5V.

Wirings: Plate circuit - Sky Blue
"B" supply circuit - Red
Grid circuit - Yellow
Earth circuit - Black.